

A new product line outperforms the solar market

SONNENKRAFT SOLAR SOLUTIONS



SONNENKRAFT 2012

A new product line brings SONNENKRAFT back in front of the chasing pack in the solar energy market. No less than half of the products are entirely new or improved.

The motto of the product development effort has been efficiency, easy and extra - The three E's!



SOLAR HOT WATER

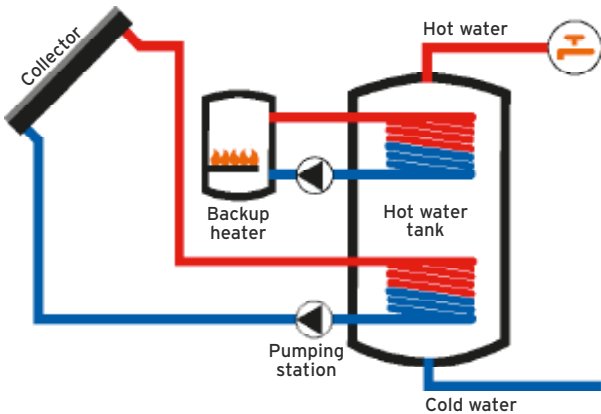
COMPACT E

It doesn't have to be expensive to become energy efficient. SONNENKRAFT offers you the easiest solution to utilize solar energy in your home.

Especially because this installation is your guarantee for a solution in premium European quality that ensures long lasting energy supply and positive environmental impact.



FUNCTIONAL DIAGRAM COMPACT E



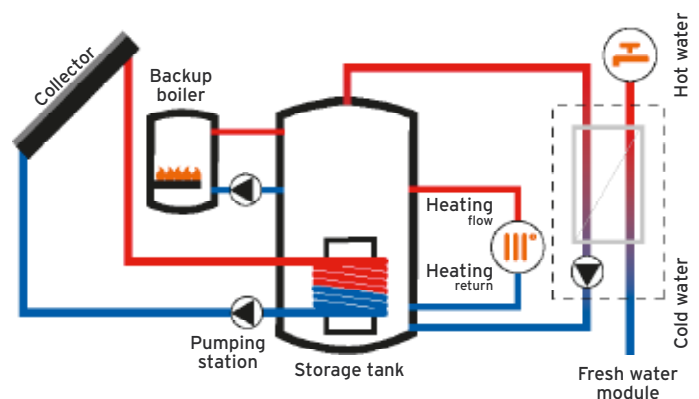
SOLAR HOT WATER SOLAR ROOM HEATING

COMFORT E

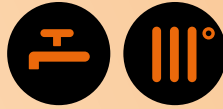
The COMFORT E solution by SONNENKRAFT is the cost-effective solution for anyone who needs both hot water and room heating. This solution consists of our brand new developed PSR-tank with high efficient pump station and intelligent fresh water module. It can cover up to 30 % of your heating and 80 % of your hot water need.



FUNCTIONAL DIAGRAM COMFORT E



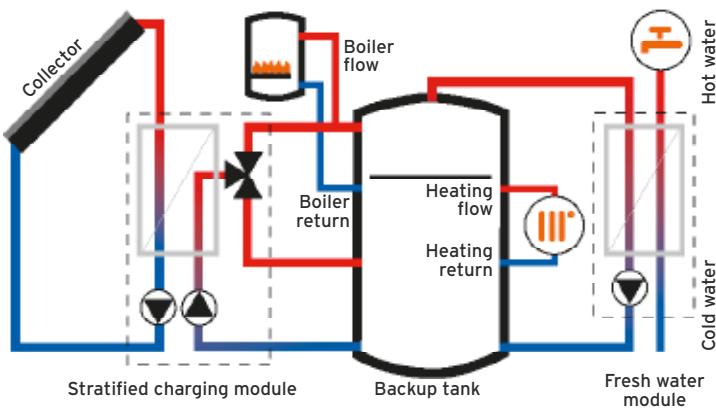
SOLAR HOT WATER SOLAR ROOM HEATING



COMFORT E

The COMFORT E Plus solution is the sophisticated solar thermal solution for hot water and room heating. The solution can cover up to 40 % of your heating and 80 % of your hot water need. It consists of our brand new developed PSC-E tank with an intelligent fresh water module, a high efficient stratification module and an optional heating circuit module. All developed to fit perfectly together. The heating module HKM20 may optionally be mounted on the COMFORT E Plus solution, to directly operate your radiator or floor heating system time and weather controlled. The RAS20 ensures the most efficient application of solar thermal energy in combination with the existing heating system, especially with condensing boilers.

FUNCTIONAL DIAGRAM COMFORT E PLUS



SOLAR HOT WATER SOLAR ROOM HEATING

COMFORT E XL

SONNENKRAFT's COMFORT E XL system guarantees maximum solar yield for large-scale systems.

